

# User Manual

## High-end intelligent Soccer Machine



*Easy movement by science  
and technology*

Welcome to use high-end intelligent soccer machine.  
Please read manual carefully before operating with the machine

# Catalogue

---

## 1. Accessories list

Accessories list.....	①
Construction .....	①

## 2. Use instruction

Panel instruction.....	①
Remote control panel instruction.....	②
Remote control use instruction.....	③

## 3. Function Parameters








Main functions .....	④
Product parameters .....	④

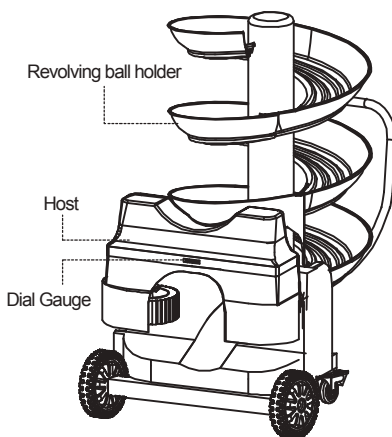
## 4. FAQ

Notice.....	⑤
Common failures and solutions.....	⑤

# NO.1 Accessories list

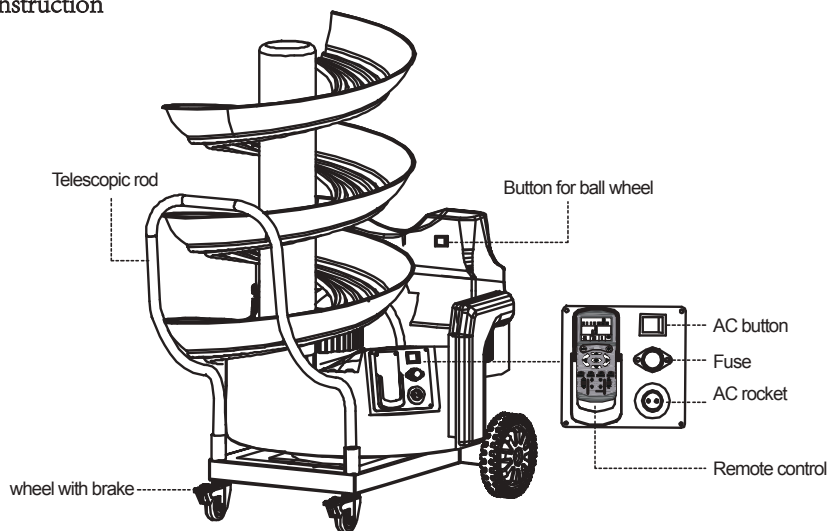
Please check the spare parts according to the following list when unpacking the machine.

Spare parts standard			Spare parts choosable			
	 					
Remote Control	Battery Fuse	AC Adaptor	DC power	Charger	Battery	

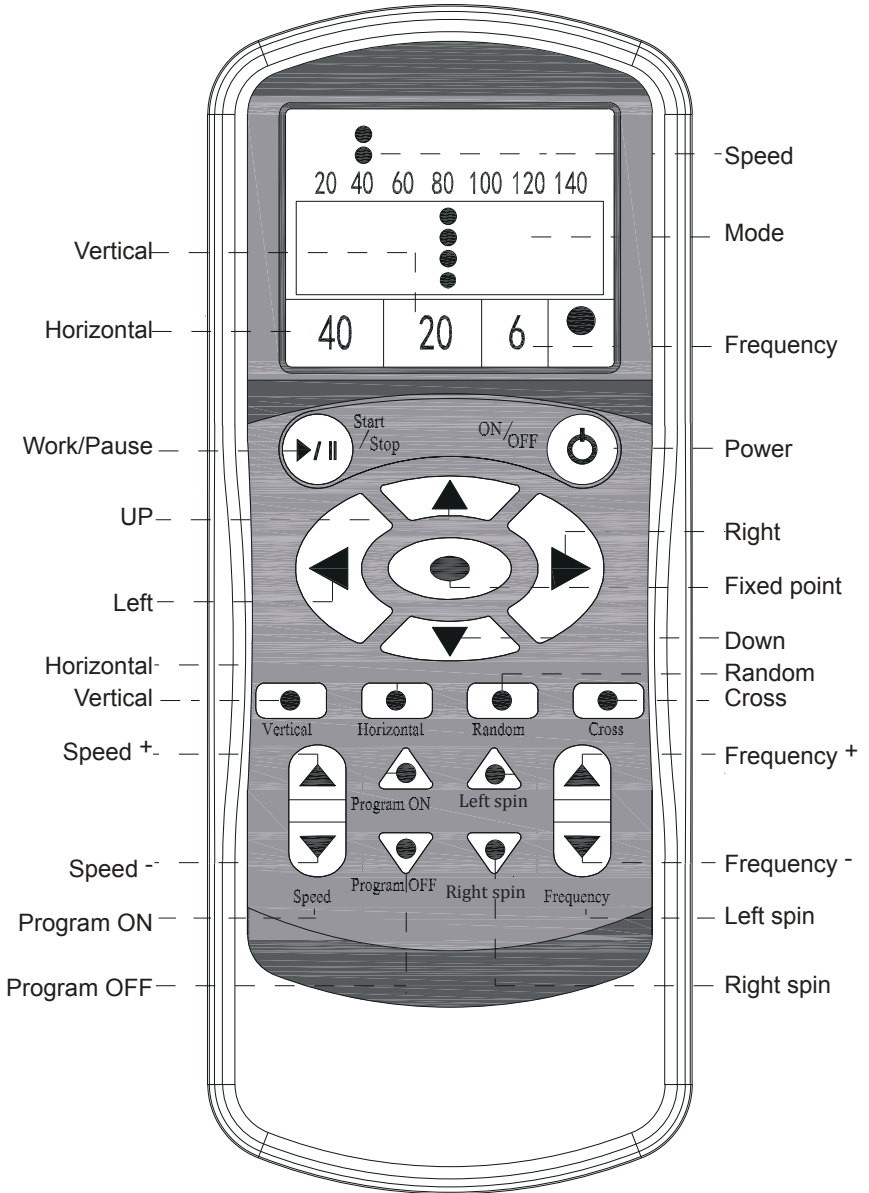


# NO.2 Use Instruction

## Panel Instruction



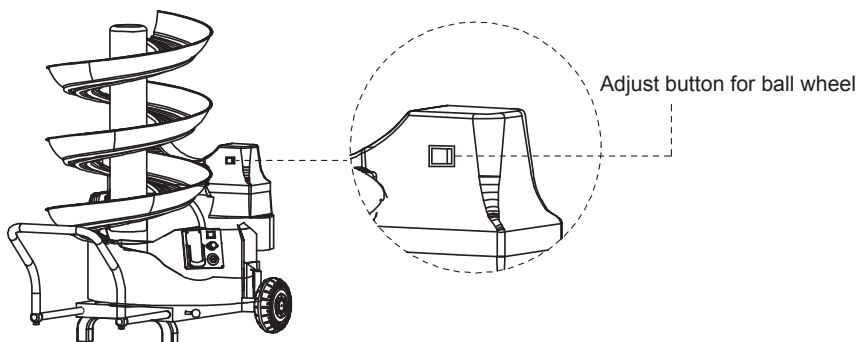
## 2.Remote Control Panel Instruction



**Attention:** 1.Power on should be pressed for 3seconds.  
2.Program on should be pressed for 3seconds.

### 3.Instruction for remote control

- (1) Fixed point: Press once to enter fixed point.  
Remark:up,down,left,right button can be adjusted.
- (2) Vertical : First press enter vertical. Second press enter high&low.  
Remark:Left&Right direction button can be adjusted.
- (3) Horizontal: First press enter horizontal. Second press enter wide two line.  
Third press enter middle line. Forth press enter narrow two line.  
Fifth press enter three line.  
Remark: up, down direction button can ajust the height.
- (4) Random: Random ball in the whole court
- (5) Cross two-line: First press enter left light point&middle deep point  
Second press enter left deep point&middle light point  
Third press enter middle light point&right deep point  
Forth press enter middle deep point&right light point  
Fifth press enter left light point&right deep point  
Sixth press enter left deep point&right light point
- (6) Program on: ①Press for 3seconds enter program on,display area has a flash point, this is the drop point.  
②Press up,down,left,right to choose the drop point.  
③When choose the drop point press "program on" to save the drop point.  
Remark:different drop points can set different training modes.
- (7) Program off: ① Program on. ②First, press up, down ,left, right to choose the drop point.  
③When you want to cancel position then press program off button.  
④Press program off for 3seconds to cancel all the drop points.
- (8) Left spin: Six left spin modes, every press for one mode.  
Right spin: Six right spin modes, every press for one mode.



**Special attention:** Adjust button to adjust the distance between the two shooting wheel;Wide distance makes weaker speed, narrow distance makes higher speed.

## NO.3 Function Parameters

Function Introduction	
No.	Function Description
1	Smart remote control with fullfunction(speed,frequency,horizontal angle,spin)
2	You can realize different modes of training by intelligent programming.
3	High performance of photoelectric sensors makes the machine runs more stably and reliably.
4	You can achieve the unique functions by setting different speed, spin and relevant angle
5	The remote control is clear and easy to operate with LCD screen
6	Remote control with different vertical and horizontal elevation, arbitrary choice of placement
7	Random function
8	Left and right spin adjustment
9	Remote control with different vertical elevation of two line function(wide,middle,narrow),three line functions
10	One button to choose six kinds of cross-line ball
11	One button to choose different horizontal ball.
12	One button to choose different vertical elevation ball.
13	DC12V,Intelligent converter 100--240V,suitable for any country
14	The key components: shooting wheels and the main motor with high quality materials are durable,motor service life can be up to 10 years
15	Large and fashionable moving wheels,noble and wear-resisting

Function Introduction			
Power Rating	150W	Speed	20-140km/hour
Color	Yellow Green	Frequency	4.5-6.5 seconds/ball
Ball capacity	15Balls	Net weight	102KG

# NO.4 FAQ

## Precautions for use

- ▲ Do not dismantle the machine, or free to change on their own machine parts, otherwise it will damage the machine or cause serious accident
- ▲ Please don't use wet, stained or damaged ball, otherwise it will cause failure (such as card ball) or damage to the machine
- ▲ Any abnormality in the machine: such as noise, fumes and leakage, please disconnect the power immediately and contact your local service provider or manufacturer
- ▲ Strictly prohibited when the machine is running free mobile
- ▲ No use wet hands to operate power device or switch of the machine, otherwise it will cause electric shock
- ▲ Forbidden to touch the internal parts of the machine with his hands when the machine is running, to avoid accidents.
- ▲ No minors allowed to operate the machine, or clean inside the machine so as not to damage the machine or cause danger
- ▲ When the DC power supply, prohibited in the case of low battery continued to use the machine
- ▲ When not in use for a long time, to prolong the battery life should be charged once a month

## Common failures and solutions

Major failures	Cause	Solutions
Serve machine doesn't start	<ul style="list-style-type: none"> <li>① The AC/DC power plug is damaged, or is not in jail</li> <li>② Power fuse burnt out</li> <li>③ DC battery run out</li> </ul>	<ul style="list-style-type: none"> <li>① Replace AC and DC or prison plug power cable</li> <li>② Replace the fuse</li> <li>③ Charging</li> </ul>
Serve weakness	<ul style="list-style-type: none"> <li>① the AC/DC power supply is not normal</li> <li>② Football stretch not enough</li> <li>③ Internal control of machine part is damaged</li> </ul>	<ul style="list-style-type: none"> <li>① the AC/DC power supply is not normal</li> <li>② Football stretch not enough</li> <li>③ Internal control of machine part is damaged</li> </ul>
Fixed ball instability	<ul style="list-style-type: none"> <li>① May different specifications football</li> <li>② The football air pressure is not the same</li> <li>③ Reaction machines displaced during service</li> </ul>	Try to moderate hardness of the ball of the same size to test machine
Press on the remote control have display but the machine no according to instructions	<ul style="list-style-type: none"> <li>① Interfering signals</li> <li>② Remote control too far away</li> <li>③ Host switch not on</li> </ul>	<ul style="list-style-type: none"> <li>① Away from the disturbance signal or staggered use of machines</li> <li>② Remote control close to the machine and try again</li> <li>③ Check host switch and open</li> </ul>
Boot or conversion mode speed slightly unstable	<ul style="list-style-type: none"> <li>① When the machine is idling speed is higher</li> <li>② In the conversion process, the horizontal and vertical positions are changed, the machine has inertian</li> </ul>	<ul style="list-style-type: none"> <li>① Idling for one minute before using the machine serving</li> <li>② Waiting for the stability of the machine, and then serve</li> </ul>